



Supervisory Switch Model: PIBV2

General Description

The PIBV2 supervisory switch monitors the open position of post indicator and butterfly control valves. Switch should be mounted so as not to interfere with the normal operation of the valve and adjusted to operate within two revolutions of the valve control or when the valve flag has moved no more than one-fifth of the distance from its normal position. The mechanism is contained in a weatherproof die cast metal housing, which provides a side entrance for 1/2" conduit and incorporates a 1/2" NPT nipple for attachment to the body. A grounding provision is provided. The switch assembly includes two switches each with a rated capacity of 10 Amp @ 125/250V AC and 2.5 Amp @ 24V DC. The cover contains tamper-resistant screws for which a security wrench is provided with each switch.

Features

- NEMA 3R rated enclosure.
- Bi-directional actuator.
- Easy single side conduit entry.
- Adjustable length actuator with breakaway feature.
- Built to accommodate up to 2mm (12 AWG) wire.
- Two sets of SPDT contacts enclosed in a durable terminal block.
- 100 percent synchronization activates alarm panel and local bell simultaneously.
- Operating temperature range -40°C to 49°C (-40°F to 120°F).
- Tamper resistant cover screws.

Specifications

Overall Switch Dimensions	108mm × 89mm × 82mm (4¼"H × 3½"W × 3¼"D)
Shipping Weight	0.9 kg (2 lbs.)
Operating Temperature Range	-40°C to 49°C (-40°F to 120°F)
Maximum Stem Extension	80 mm (35/32")
Mounting	½" NPT nipple
Conduit Entrances	One single side open for ½" conduit
Contact Ratings	Two sets of SPDT (Form C) 10.0 A @ 125/250V AC; 2.5 @ 6/12/24V DC
Enclosure Rating	UL indoor/outdoor NEMA 3R when mounted with the actuator vertical
Service Use	Automatic Sprinkler: NFPA 13 One or Two Family Dwelling: NFPA 13D Residential Occupancies up to 4 stories: NFPA 13R National Fire Alarm code: NFPA 72



Robust Construction

The PIBV2's rugged housing is intended for indoor and outdoor use. When installed with the actuator in the vertical position, the PIBV2 is NEMA 3R rated per UL.

Application Flexibility

The PIBV2 features a flexible design, which accommodates post indicator, butterfly, and many other types of wall post, recessed wall post and pressure reducing valves. The PIBV2's unique bi-directional actuator allows the unit to be installed in either rising or falling flag installations.

Simplified Installation

Installation is made easier with the PIBV2's single side conduit entrance. By providing a direct conduit pathway to the electrical source, right angle fittings are not required. Installation is further simplified by the PIBV2's adjustable length actuator with a convenient breakaway feature for installation on shorter valves. This eliminates the need for cutting the shaft.

Consistent Performance

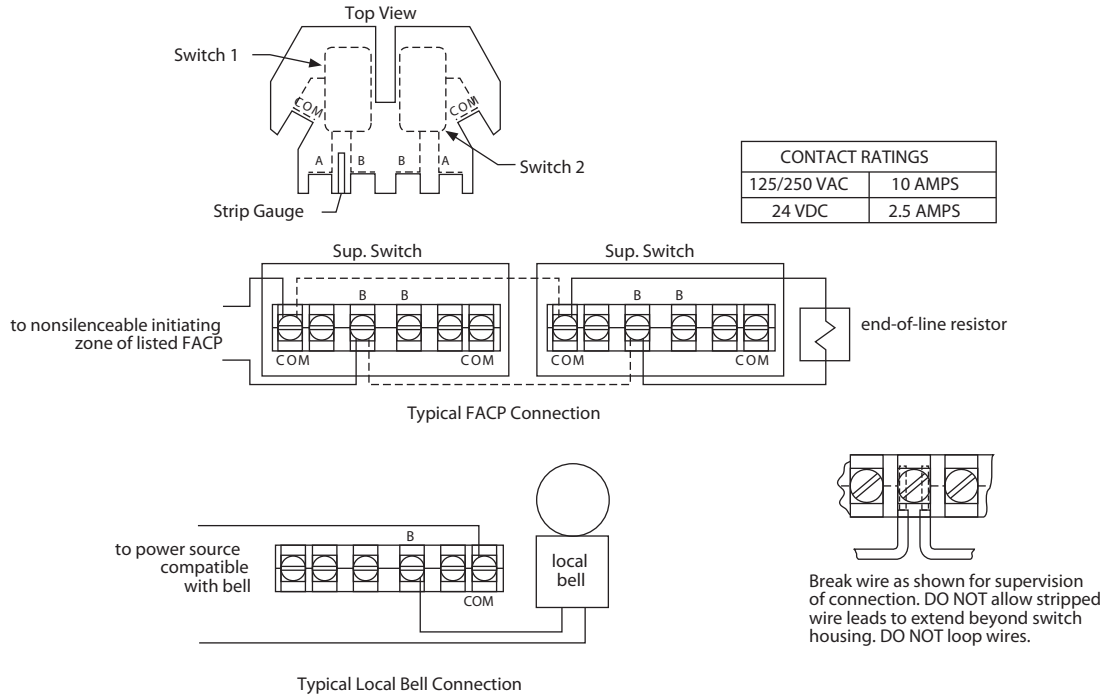
The PIBV2 has 100 percent synchronization which activates the alarm panel and local bell simultaneously. In addition, the switch is designed to operate in temperatures ranging from -40°C to 49°C (-40°F to 120°F). The PIBV2 is equipped with tamper resistant cover screws to prevent unauthorized entry. Inside, two sets of SPDT (Form C) synchronized switches are enclosed in a durable terminal block to assure reliable performance.

Manufactured by System Sensor who hold the FM Approval and UL Listing



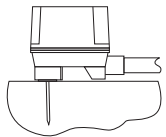
Supervisory Switch
Model: PIBV2

Electrical connection

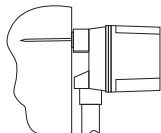


Installation

The following are examples of acceptable mounting positions:

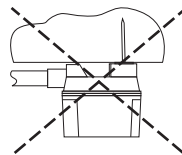


Actuator Vertical (Down)



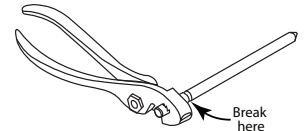
Actuator Horizontal

The following mounting position is not acceptable:



Actuator Vertical (Pointing Up)

Actuating Arm Breakaway Feature:



Important Installation Information

- PIBV2 Supervisory Switch must only be installed by a competent person in accordance with requirements of the local authority having jurisdiction. Deviations from these standards will invalidate warranty.
- It is the responsibility of the installing contractor to include a copy of this document in the sprinkler system installation, operating and maintenance manual.
- Alterations to products will void any warranty.
- PIBV2 Supervisory Switch should be inspected and maintained during routine sprinkler system inspections by a competent person in accordance with national codes/requirements.
- Failure to follow these instructions could cause improper operation, resulting in personal injury and/or property damage.
- For further details and technical support please contact your Rapidrop sales representative.

Manufactured by System Sensor who hold the FM Approval and UL Listing